

1. **Technical data**

Voltage rating: 110-130V , 220-240V / 50Hz

Power rating: 1800-2000W

Temperature of wind: 60°C ± 20°C

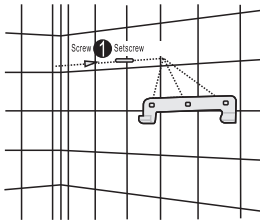
Weight: 3.0Kg

Vilocity of wind: >15m / sec

Acting distance: >140mm

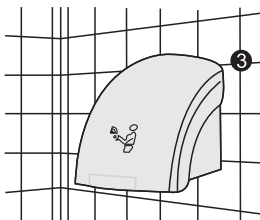
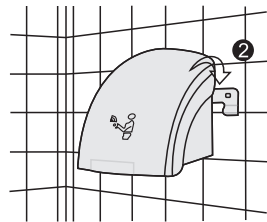
Delay time: <5sec

2. **Method of installation**



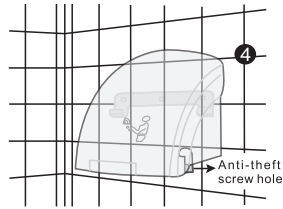
1. Install the screws and bracket.

2. Hang up the hand dryer.

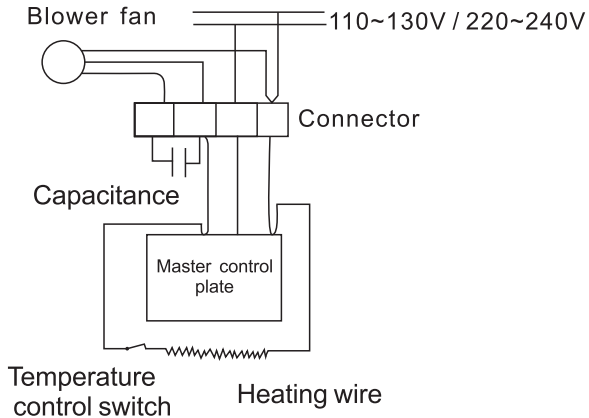


3. Finish hanging up the hand dryer.

4. Scew the nut in the hole.



Power scheme



3. Method of usage

- 1、 After installing the hand dryer, turn the power supply on, it will be on the work ground.
- 2、 When put the hands nearby the vent the hole within 15cm, the dryer will work automatically, and vent the hot wind.
- 3、 After several seconds when the hands left the dryer, it will stop working.

Quality Warranty: 1Year